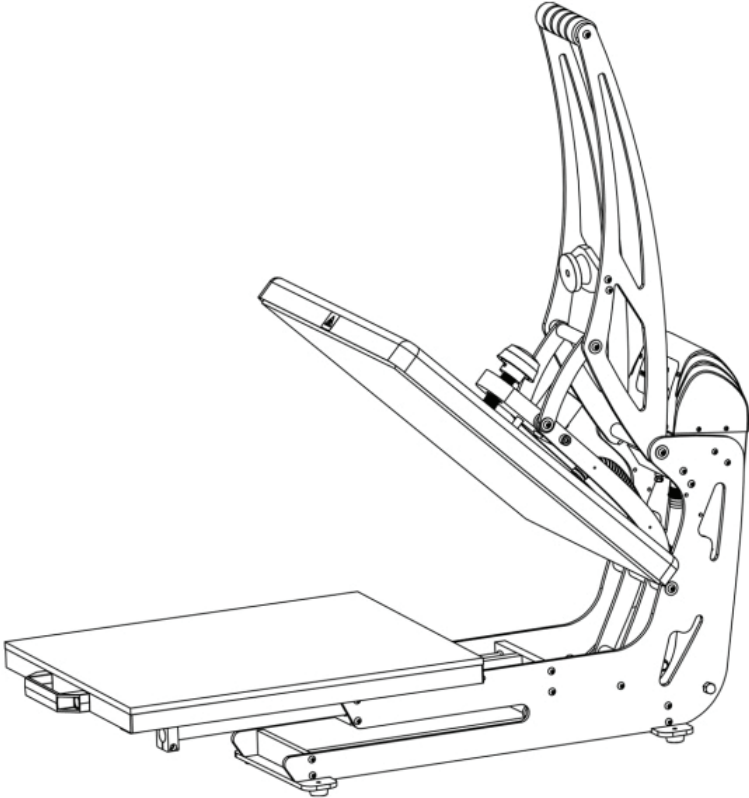


TRANS^{PRO} PLUS

16x20 HEAT PRESS

HEAT PRESS USER'S GUIDE



PRO WORLD[®]

HEAT APPLIED GRAPHICS • PRESSES • ACCESSORIES

www.ProWorldInc.com

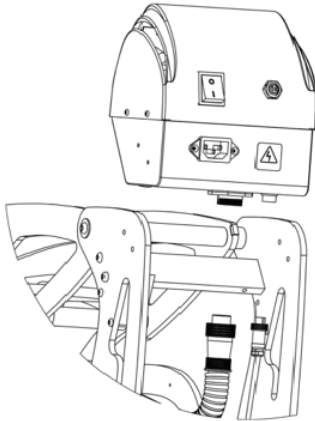
Pro World Inc.
961 Bethel Ave.
Pennsauken, NJ 08110

Toll Free 800-678-8289
Outside U.S. 856-406-1020
Fax 856-406-1025i

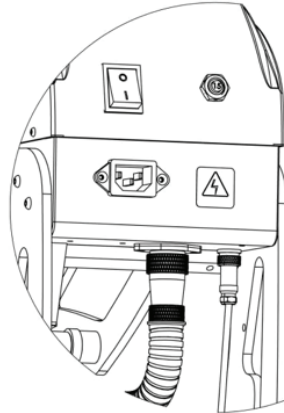
OPERATION INSTRUCTIONS

1. Assemble The Control Box

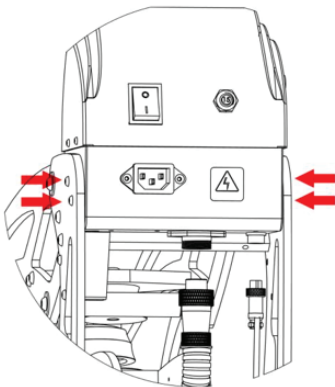
1.1 Take out control box inside of the packing carton, then put the control box on top of the machine in the right position.



1.3 Connect 5 phase aviation plug and 2 phase aviation plug, then fasten tightly.

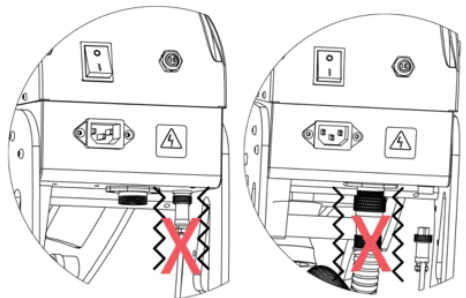


1.2 Fasten the control box onto the machine with 4 screws tightly.



ATTENTION: The aviation plug must be connected tightly.

CAUTION : A sway connector will cause aviation plug burning under heavy electricity.



2. Connecting the System

2.1 Connect the power cord into a properly grounded electrical outlet with a sufficient amperage rating.

2.2 VOLTAGE: 120 Volt – The GS-601 requires a full 20 amp grounded circuit for 120 volt operation. 240 Volt –The GS-601 requires a full 10 amp grounded circuit for 240 volt operation.

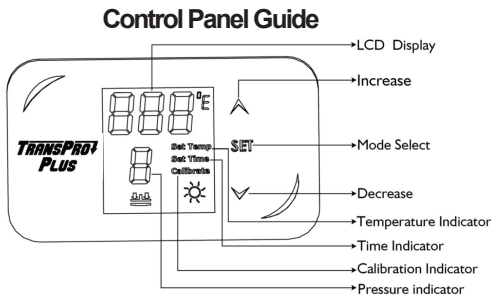
2.3 EXTENSION CORDS If used, should be as short as possible and not less than 12 gauge. Heavy duty cords are recommended.

2.4 CIRCUITS that have less than 15 amps or that have other high demand equipment or appliances (especially more than one heat seal machine) plugged in, should not be used.

CAUTION: Failure to follow these instructions will cause:

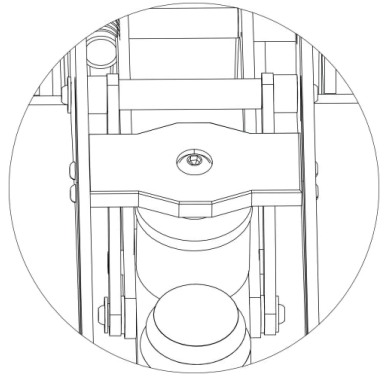
1. Erratic controller functions.
2. Inaccurate displays & slow heat-up.
3. The circuit breaker to disengage.

NOTE: If the supply cord is damaged, it must be replaced by the manufacturer, its service agent or a similarly qualified person in order to avoid hazard.

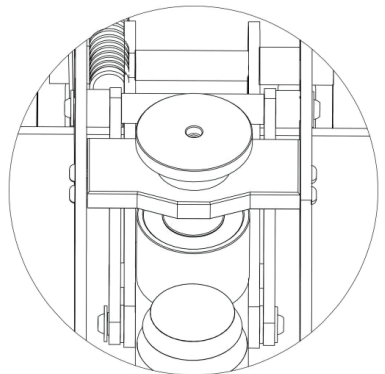


3. Change To Auto Mode/Manual Mode

3.1 Turn around “Ramspin” system into picture position, machine works under automatic mode. Once close the machine, electromagnet works to hold machine closed. Once time is counting down to zero, machine will auto open.

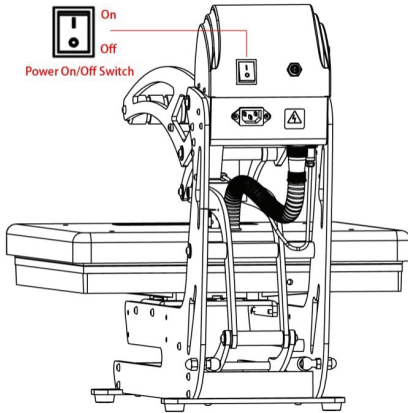


3.2 Turn the “Ramspin” system into picture position, machine works under manual mode. Once close the machine, electromagnet does not work to hold machine closed. Once time is counting down to 0, machine needs to be opened by hand.



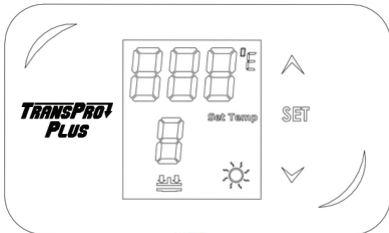
4. Turn On The System

4.1 Switch The System On



5. Adjusting The Temperature

5.1 Press the Mode Select button located in the center of the Control Panel. "Set Temp" lights located in the display will illuminate indicating you are in the adjust temperature mode.



14.8

5.2 Next, press the (-) button located to the bottom of the Mode Select button to lower the temperature setting, or press the (+) button located to top of the Mode Select button to raise the temperature setting. The temperature can be set from 170° F (76° C) to 430° F (220° C).

6. Adjusting The Time

6.1 Once you have adjusted the temperature, press the Mode Select button again. "Set Time" lights located in the

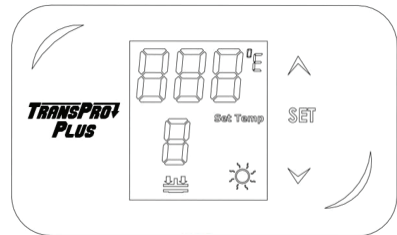
display will illuminate indicating you are in the adjust time mode.

6.2 Next, press the (-) button located to the bottom of the Mode Select button to lower the value, or press the (+) button located to top of the Mode Select button to raise the time value. The time setting range can be set from 0~999.

7. Adjusting The Time

7.1 Once you have get your target Temp., press the "SET" button again. "Set Time" lights located in the display will illuminate.

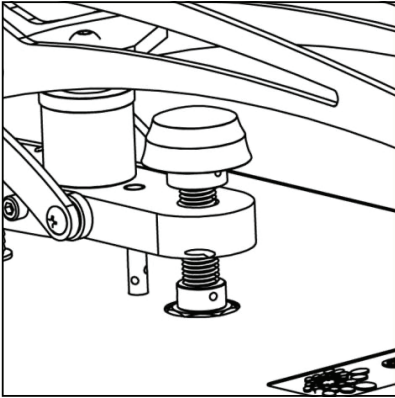
8. Counter Setting



8.1 Once you have adjusted the time, press the Mode Select button again. "Counter" lights located in the display will illuminate indicating you are in the counter setting mode.

8.2 Next, press the (-) button to lower the value, or press the (+) button to raise the value. The counter setting range can be set from 0~999.


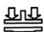

9. Adjusting Pressure



9.1 First, locate the LED Display on the Press. The Pressure Adjustment Knob is located in the center of the heat platen.

9.2 To adjust the Pressure, simply turn the Pressure Adjustment Knob to the right or clockwise to increase the Pressure and to the left or counter clockwise to decrease the Pressure. The readout will display the Pressure when locked down in the print position.

9.3 A visual Pressure Readout is located on the lower right side of the LCD Display. When the handle is locked into the Print Position, a pressure number will be displayed. Readout will be on a scale of 0 - 9. A 0 Pressure readout would indicate no pressure at all and 9 would indicate very heavy pressure.

	1~3=Light Pressure
	4~7=Medium Pressure
	8~9=Heavy Pressure

10. Printing & Pressing

- Once your equipment has reached the designated temperature;
- Position the garment and application and proceed to press;

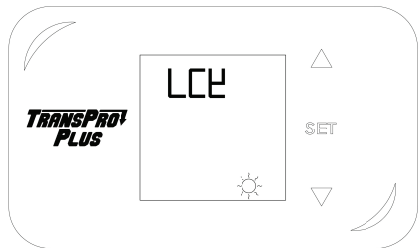
- Lower and lock the heat platen into the press position. This procedure will start the automatic timing process;

- The timer will automatically count down and lift the heat platen into the "UP" position when the press cycle is complete;

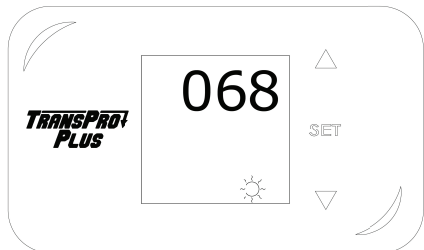
NOTE: Please be aware after time is complete, gas shocks will automatically release the platen into the "UP" position.

11. Switching Between F/C

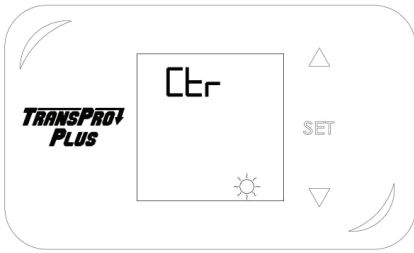
11.1 Press "set" button for 4 seconds, display shows LCK



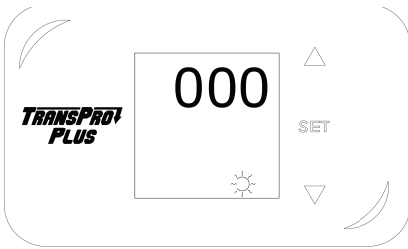
11.2 Input 68 then press "set" button to enter into second level menu.



11.3 Press "set" button to select "ctr" mode, press up and down button to set value at 0 or 1, 0 for celsius, 1 for Fahrenheit

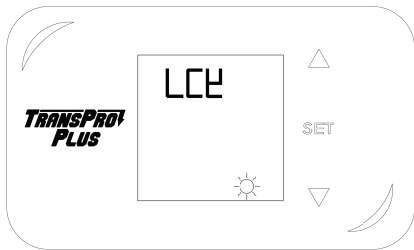


11.4 Press "set" button 4 seconds to quit.

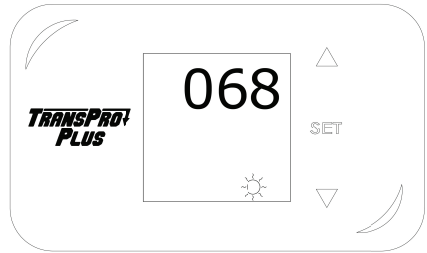


12. Temperature Calibration

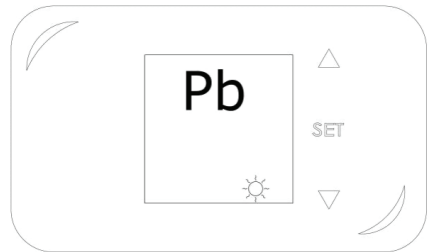
12.1 Press "set" button for 4 seconds, display shows LCK



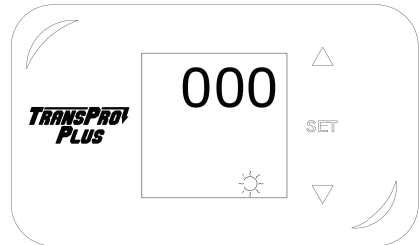
12.2 Input 68 then press "set" button to enter into second level menu.



12.3 Press "set" button to select "Pb" mode. Press up and down button to make temperature calibration.



12.4 Press "set" button 4 seconds to quit.



Note: If temperature on heat platen is higher than circuit board shows, pls raise the Pb value.

Example:

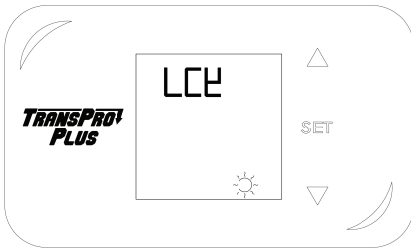
Heat platen temperature:190C

Circuit board temperature:185C

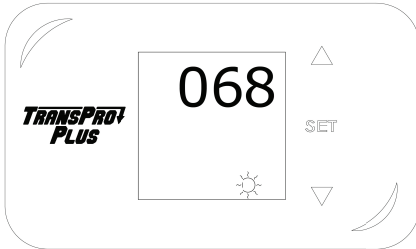
Pls set Pb Value at (+5)

13. Switching Between F/C

13.1 Press “set” button for 4 seconds, display shows LCK



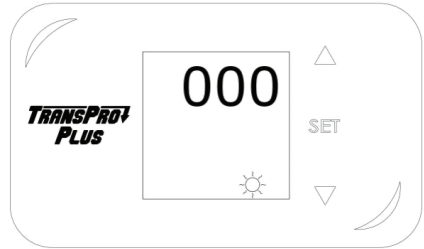
13.2 Input 68 then press “set” button to enter into second level menu.



13.3 Press “set” button to select “Pb” mode. Press up and down button to make temperature calibration.

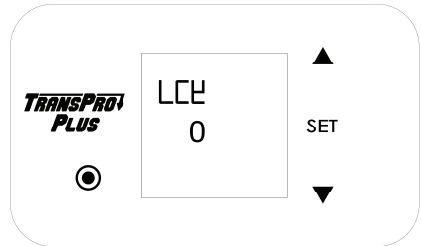


13.4 Press “set” button 4 seconds to quit.

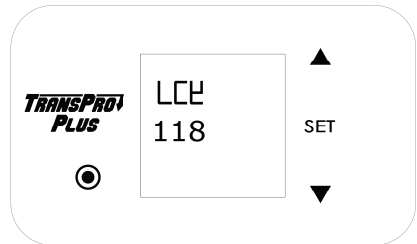


14. Temperature & Time Presets

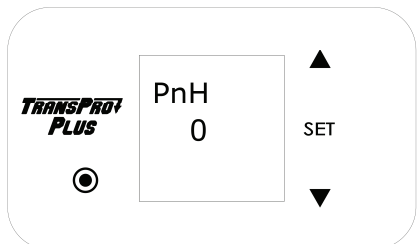
14.1 Press “set” button for 4 seconds, display shows LCK.



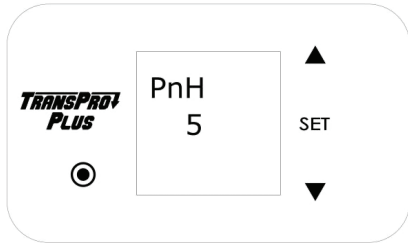
14.2 Input 118 then press “set” button to enter into second level menu.



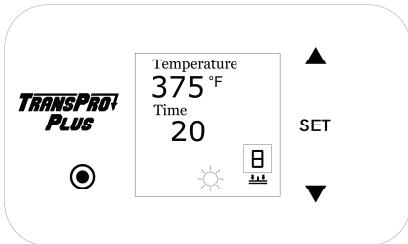
14.3 “PnH” parameter is to set quantities of temperature and time combination.



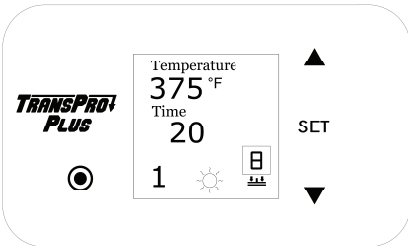
14.4 Customer can set value from 0~5. For example, if customer set value 3, then in the main screen of the control board, customer can pre-set 3 different temperature and time combinations.



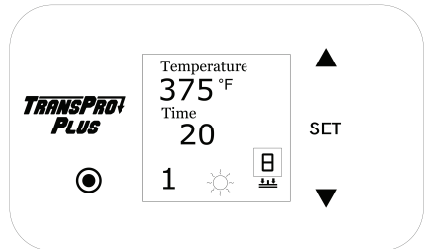
14.5 For "PnH" value, if customer set value with "0", then in the main screen of control board there is no pre-setting indicator shows at the bottom left corner.



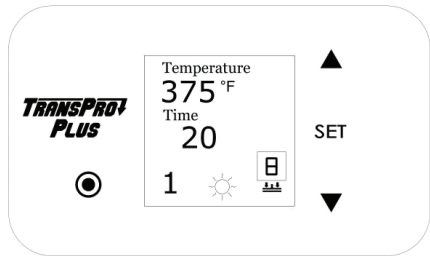
14.6 If customer set value with 1~4, then in the main screen of control board there will be indicator shows at the bottom left corner.



14.7 Press "dot" button for 3 seconds to switch between each combination settings.



14.8 Press "set" button and "arrow" button to preset each temperature and time combination setting.



NOTE: We have pre-set 5 temperature&-time combinations for all customer. See below:

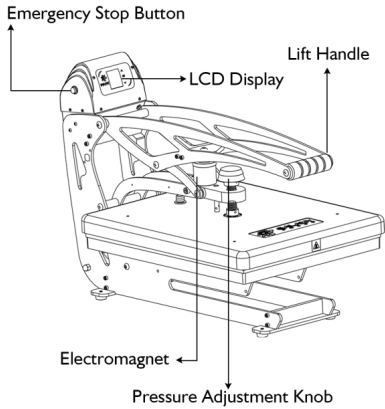
1. 305°F for 12 seconds
2. 320°F for 15 seconds
3. 395°F for 10 seconds
4. 400°F for 45 seconds
5. 400°F for 60 seconds

Technical Parameters

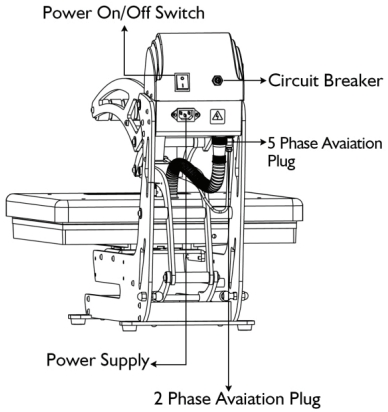
Model:	MP354 & MP350-1620
Heater Size:	16"×20" (406×508mm)
Pressure Display:	Yes
Auto Open:	Yes
Slide-out Lower Platen:	Yes
Power(120volt)	1800W/16.4Amps
Power(240volt)	1800W/8.2Amps
Temperature Range:	Max.221°C/430°F

Heating Up Time (180°C)	20minutes
Time Range:	0~999S
Way To Change Lower Platen:	"Ramlock" quick change system
Machine Size (open size):	29.5 x16.9 x39.3in
Packing Size:	33.1 x20.5 x23.4 in
Packing Weight:	119.0lbs
Certificate:	CE,FCC

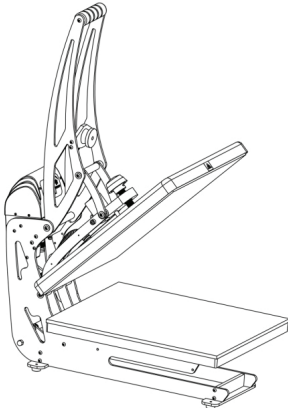
OPEN VIEW(GS-103/105)



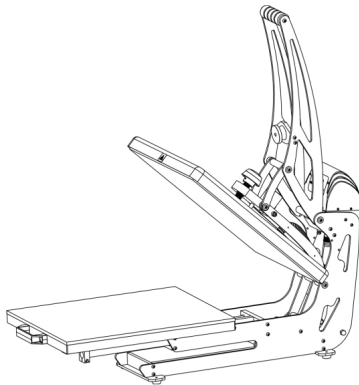
OPEN VIEW(GS-103/105)



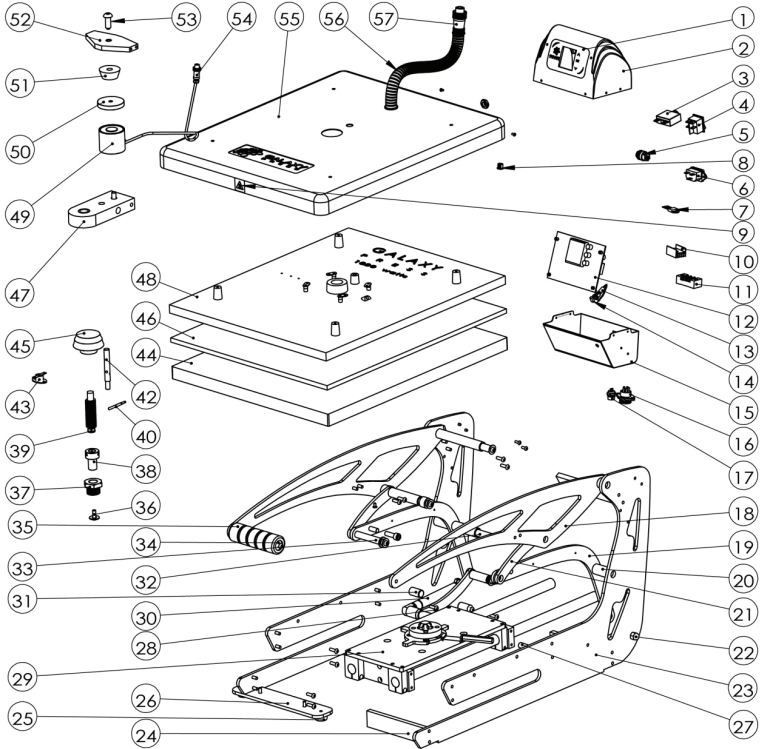
OPEN VIEW(GS-103/105)



OPEN VIEW(GS-103S/105S)



Technical Parameters Cont.



Part Name[English]	Part No.	Qty.
Display overlay	1600549	1
Control box top	1200446	1
Circuit breaker 15A	1800160	1
On/off switch	1800346	1
Emergency stop button	1200579	1
socket	1800344	1
Triac	1800586	1
Coqing sheet	1300672	1
Terminal Block	1800345	1
Circuit Board	1800353	1
Magnet switch	1800620	1
Magent	1800609	1
Control box base	1200685	1

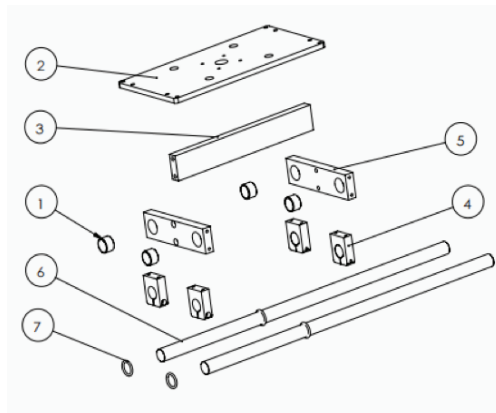
16	5 phase aviation plug (Female) with wires welded	1800955	1
17	2 phase aviation plug (Female) with wires welded	1800962	1
18	Machine handle	1200581	2
	Machine handle	1200395	2
19	Machine arm	1200583	2
	Machine arm	1200409	2
20	Washer 20-13-15	2000296	2
21	Lift links	1200140	2
	Lift links	1200139	2
23	Machine body	1200582	2
	Machine body	1200397	2
24	Supporting block	1200043	3
25	Rubber foot	1800317	4

Technical Parameters Cont.

26	Machine foot	1200649	2
27		1200051	1
28	Bridle links	1200138	2
	Bridle links	1200218	2
29	Lower platen holding base	1200230	1
30	Gas spring 270N	1800054	2
	Gas spring 350N	1800055	2
31	Position block	1200264	2
32	Threaded Pin 13-164	1200050	1
33	Threaded Pin 12-89	1200074	1
34	Handle shaft	1200145	1
35	Foam Grip	1200645	1
36	Screw M8*16	1901071	1
37	Adjustment spindle base	1800142	1
38	Adjustment spindle(female)	1901072	1
39	Adjustment spindle(male)	1901073	1
40	Thermocouple	1800281	1
42	Balance screw	1901074	1
43	Thermosat	1800133	1

44	Lower platen	1800802	1
	Lower platen	1800388	1
45	Adjustment knob	1800479	1
46	Silicon pad	1800422	1
	Silicon pad	1200539	1
47	Platen holding block	1200068	1
	Platen holding block	1200042	1
48	Heat platen 15*15	1200287	1
	Heat platen 16*20	1800386	1
49	Electromagnet 600N	1200963	1
	Electromagnet holding sheet	1200067	1
51	Rubber foot	1200605	1
52	Holding sheet	1200045	1
53	Holding sheet screw	1200659	1
55	Heat platen cover 15*15	1200449	1
	Heat platen cover 16*20	1200450	1
56	PP tube	1800835	1
57	5 phase aviation plug(Male) with wires welded	1800954	1

Sliding System

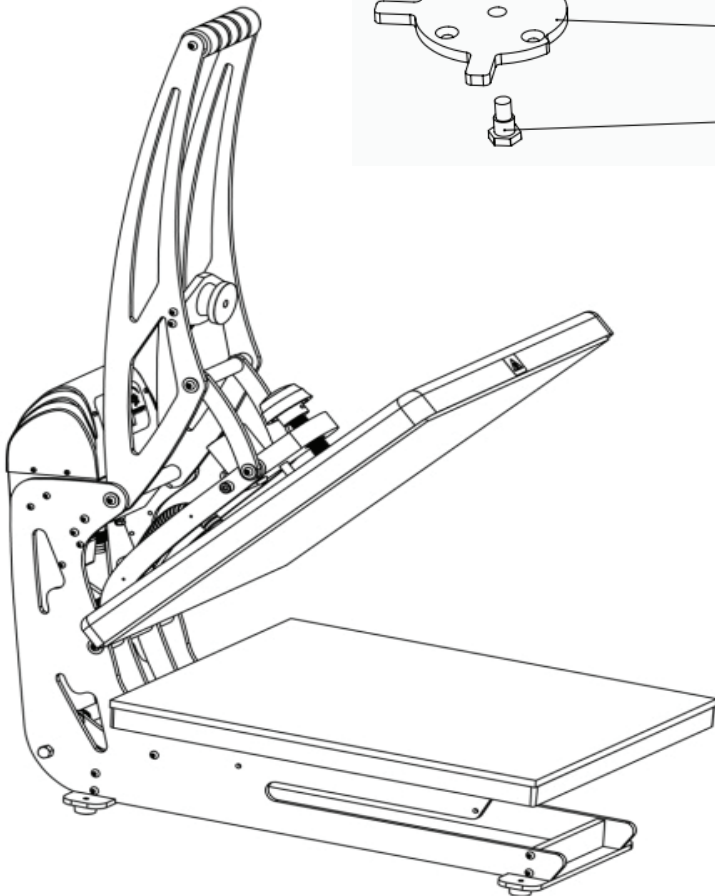
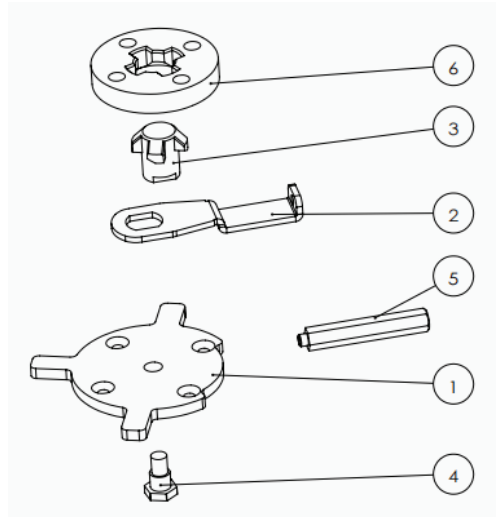


No.	Part Name(English)	Part No.	Qty.
1	Cooper bush	1200075	4
2	Sliding Lower Platen Base	1200425	1
	Sliding Lower Platen Base	1200426	1
3	Supporting Block	1200197	1
	Supporting Block	1200052	1
4	Bearing block	1200648	4
5	Plated bar fixed board	1200044	2
6	Plated bar	1200411	2
	Plated bar	1701037	2
7	O shape washer	1200309	4

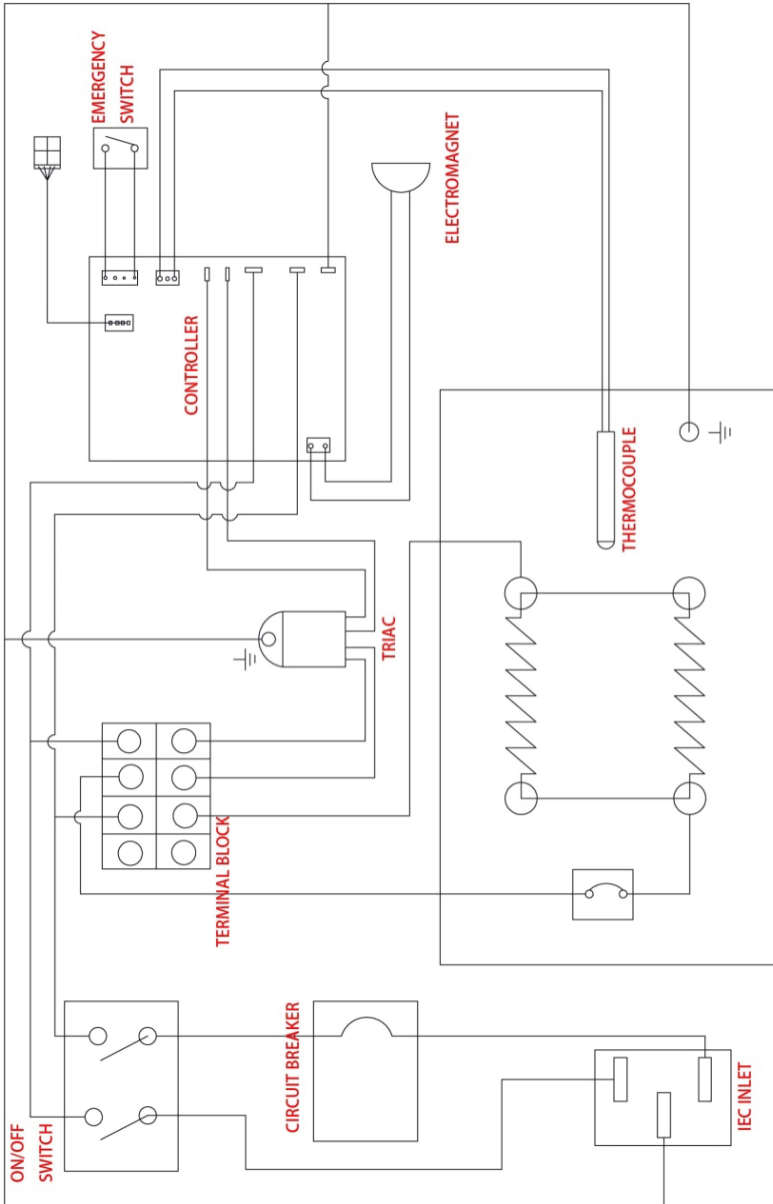
Technical Parameters Cont.

Ramlock System

No.	Part Name(English)	Part No.	Qty.
1	Ramlock base	1200958	1
2	Ramlock locking sheet	1200960	1
3	Ramlock locking set(male)	1200961	1
4	Ramlock locking screw	1900959	1
5	Ramlock handle	1200956	1
6	Ramlock locking set(female)	1200957	1



WIRING SCHEMATIC



120V VERSION

TRANSPRO WARRANTY

Warranty Coverage

TransPro products offered by Pro World are warranted against defects in material and workmanship. Warranty is void if equipment has been damaged by accident, unreasonable use, neglect, unauthorized and/or improper service, or other causes not arising out of defects in material and workmanship. This warranty does not cover damage caused by normal wear and tear, neglect or lack of proper maintenance. This warranty is for the original purchaser/owner only, it is not transferable.

Warranty Duration

The heating element shall be warranted for the life of the heat press. There is a one (1) year warranty on major components, circuit boards and all other components.

Warranty Performance

During the warranty period, and in the event that a situation cannot be resolved by telephone/email and upon PRE-AUTHORIZATION from Pro World equipment must be shipped, freight prepaid to Pro World for service in the original packaging. After 30 days, all shipping and insurance expenses to and from Pro World of in-warranty equipment is solely the responsibility of the customer. Prior to 30 days the shipping costs will be refunded if Pro World deems the equipment to be defective as stated. Pro World cannot be held responsible for improper handling or any other damage incurred in transit. No charge will be made for labor and components for repair of in-warranty equipment. OUT-OF WARRANTY machines will be charged at the repair rates in effect at the time the machine is received.

Warranty Disclaimers

Pro World shall not be liable for loss of use of TransPro equipment or other incidental or consequential costs, expenses, or damages incurred by the original purchaser or any other user. The above warranty provisions constitute the entire agreement between all parties, and supersede any and all prior written and/or oral representations and understandings.

This "Limited Warranty" applies to all TransPro equipment. However, the procedure for obtaining service may vary outside the continental United States. Contact your Pro World representative for warranty information. The purchaser is responsible for compliance with all local laws, regulations and measure. Agreement shall be governed by and construed in accordance with all applicable laws of said region.



www.ProWorldInc.com

**Pro World Inc.
961 Bethel Ave.
Pennsauken, NJ 08110**

**Toll Free 800-678-8289
Outside U.S. 856-406-1020
Fax 856-406-1025i**